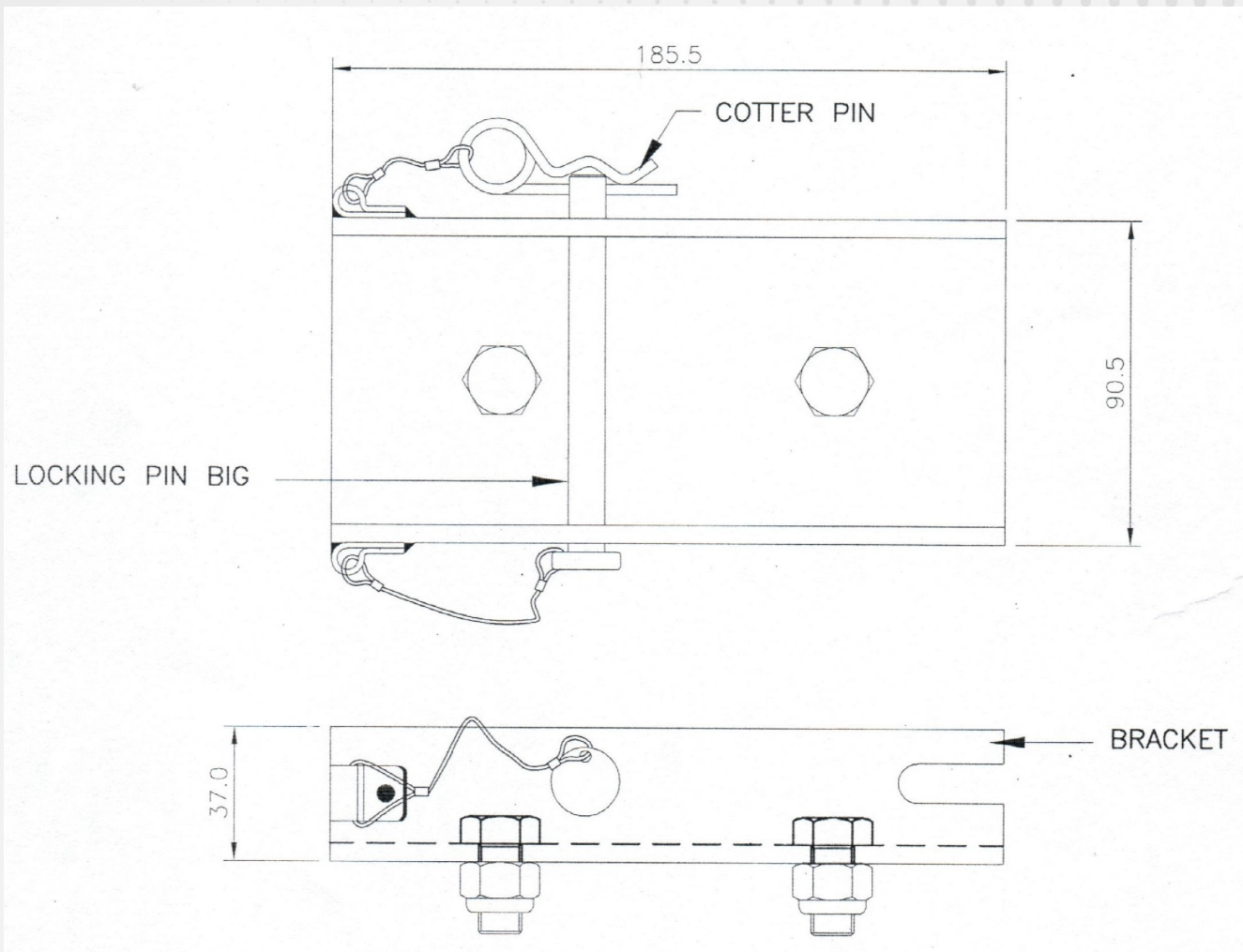


# BRACKET FOR RESCUE SRL (FITS 7' MEGAPOD™)



Part Number: SA17(25)-SK



## SPECIFICATIONS

<b>Design</b>	<ul style="list-style-type: none"><li>▶ Universal mounting bracket for winches (PN818(DP)-SK)</li><li>▶ Easy and quick installation on Megapod™ (SA17-SK)</li><li>▶ Detent pin with cotter pin attachment for easy and secure installation on Megapod™ leg</li></ul>
<b>Material</b>	▶ Alloy steel
<b>Finish</b>	▶ ED black coating
<b>Weight</b>	▶ 2.93 lbs. ± .04 lbs.

Safe Keeper Fall Protection is committed to providing high-quality fall protection equipment and systems to create a safer work environment and ultimately save lives in the workforce. We use today's cutting-edge manufacturing processes and experts, applying real-world practical knowledge to engineer effective yet affordable solution-focused products.

