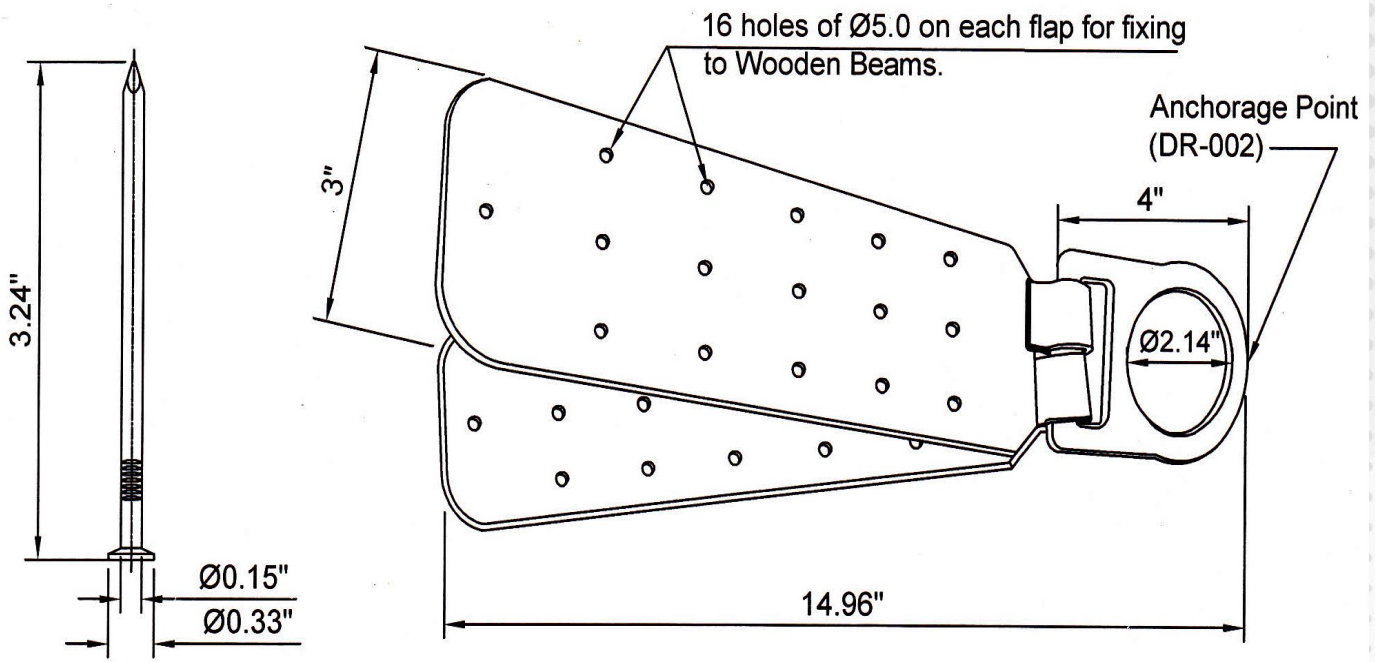


HINGED STEEL REUSABLE ROOF ANCHOR



Part Number: SA01-SK



NAIL (NA-001)

As per ANSI Z359.1:2007

SPECIFICATIONS

Design	<ul style="list-style-type: none">▶ An ideal anchorage device to be fixed on wooden beams used in roofing▶ Consists of two steel flaps each with 16 holes which can be fitted on the two sides of a wooden beam by means of nails inserted in the holes▶ The D-ring can be safely used as an anchor point
Material	▶ High strength steel alloy
Finish	▶ Powder coated or zinc plated
Breaking Strength	▶ 5,000 lbs. (Minimum)
Weight	▶ 2.39 lbs. ± 0.02 lbs.
Applicable Standards	▶ Meets or exceeds ANSI Z359.1-2007

Safe Keeper Fall Protection is committed to providing high-quality fall protection equipment and systems to create a safer work environment and ultimately save lives in the workforce. We use today's cutting-edge manufacturing processes and experts, applying real-world practical knowledge to engineer effective yet affordable solution-focused products.

