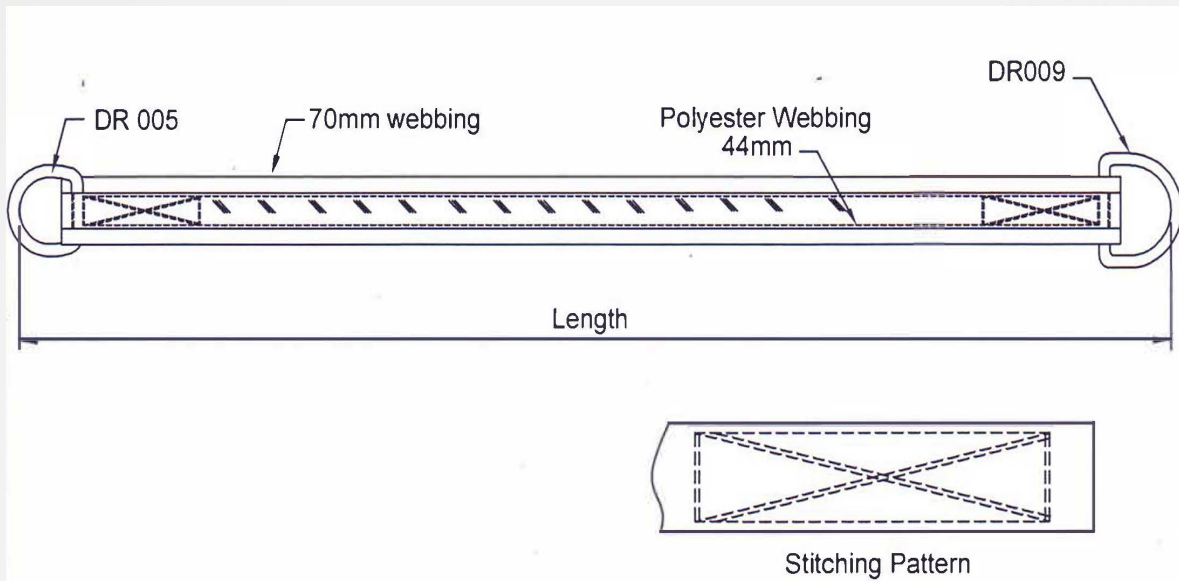


6' CHOKER-STYLE ANCHOR STRAP

Part Number: PN806(6FT)-SK



Tested as per ANSI Z 359.1-2007 TYPE T

Length: 6 ft

SPECIFICATIONS

Design	<ul style="list-style-type: none">▶ Made up of 1.73 in. (44mm) wide polyester webbing▶ Stitched with 2.76 in. (70mm) webbing on the back for extra protection▶ Small D-ring on one side and bigger D-ring on the other
Front Webbing	<ul style="list-style-type: none">▶ Material: polyester▶ Breaking strength: 5,000 lbs. (Minimum)▶ Width: 1.73 in. \pm 0.04 in. (44 mm \pm 1 mm)
Back Webbing	<ul style="list-style-type: none">▶ Material: polyester▶ Breaking strength: 5,000 lbs. (Minimum)▶ Width: 2.76 in. \pm 0.04 in. (70 mm \pm 1 mm)
Stitching Thread	<ul style="list-style-type: none">▶ Material: high-tenacity polyester
Length	<ul style="list-style-type: none">▶ 6 ft.
Metal Component	<ul style="list-style-type: none">▶ Material: alloy steel▶ Finishing: golden yellow galvanized▶ Breaking strength: 5,000 lbs. (Minimum)
Weight	<ul style="list-style-type: none">▶ 1.03 lbs. \pm 0.02 lbs.
Applicable Standards	<ul style="list-style-type: none">▶ Meets or exceeds ANSI Z359.1-2007 TYPE T

Safe Keeper Fall Protection is committed to providing high-quality fall protection equipment and systems to create a safer work environment and ultimately save lives in the workforce. We use today's cutting-edge manufacturing processes and experts, applying real-world practical knowledge to engineer effective yet affordable solution-focused products.

