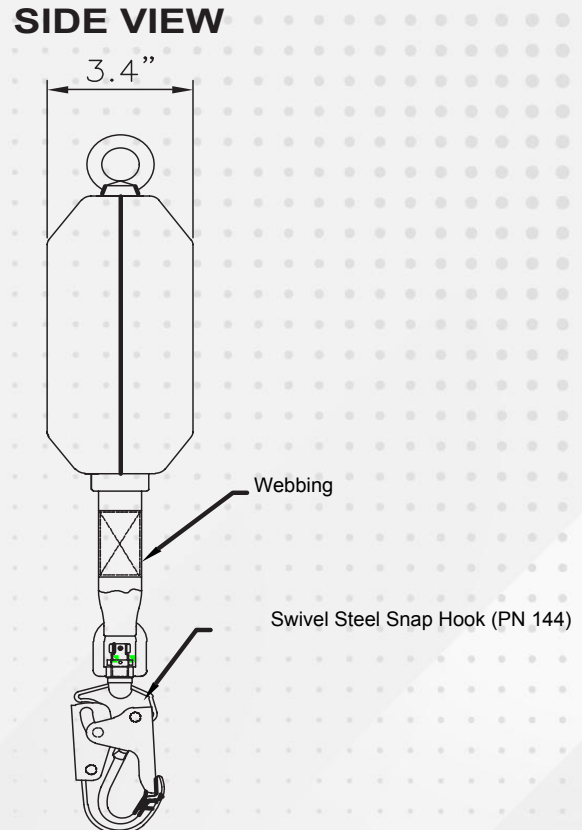
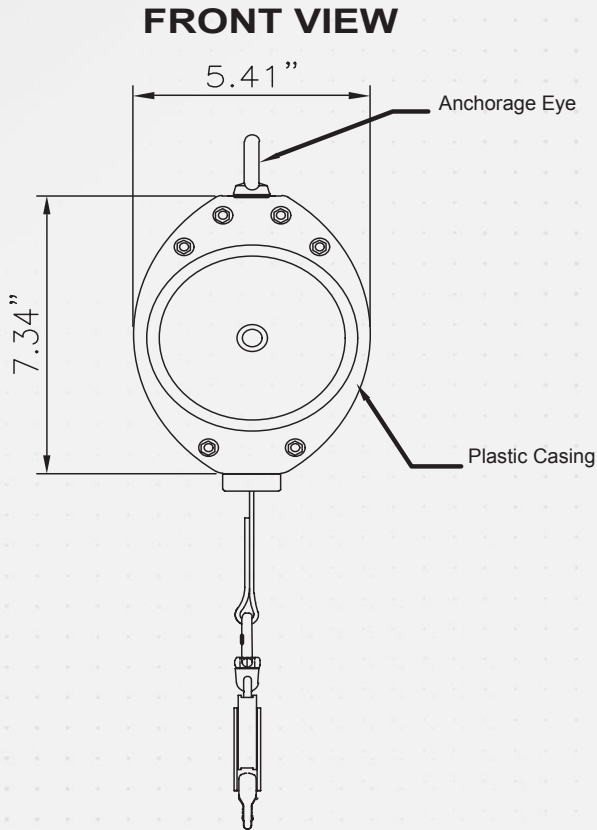


20' WEBBED SELF-RETRACTING LIFELINE



Part Number: PCWB20FT-SK

Our **Walkabout Robust™** line of self-retractable lifelines offers practical and affordable solutions for any industrial or construction needs.



Conforms to ANSI Z359.14-2014 CLASS B

SPECIFICATIONS

Design	<ul style="list-style-type: none">▶ Robust and durable plastic casing▶ Has anchorage eye at anchorage end▶ Steel-swivel hook at retractable end (our ref. PN144 as per ANSI Z359.12-2009 gate strength 3,600 lbs.)▶ Polyester webbing
Length	<ul style="list-style-type: none">▶ 20 ft. (Maximum)
Webbing	<ul style="list-style-type: none">▶ Material: Polyester webbing 1 in.▶ Breaking strength: 4,500 lbs. (Minimum)
Weight	<ul style="list-style-type: none">▶ 5.64 lbs. ± 0.11 lbs.
Applicable Standards	<ul style="list-style-type: none">▶ Meets or exceeds ANSI Z359.14-2014 CLASS B

Safe Keeper Fall Protection is committed to providing high-quality fall protection equipment and systems to create a safer work environment and ultimately save lives in the workforce. We use today's cutting-edge manufacturing processes and experts, applying real-world practical knowledge to engineer effective yet affordable solution-focused products.

