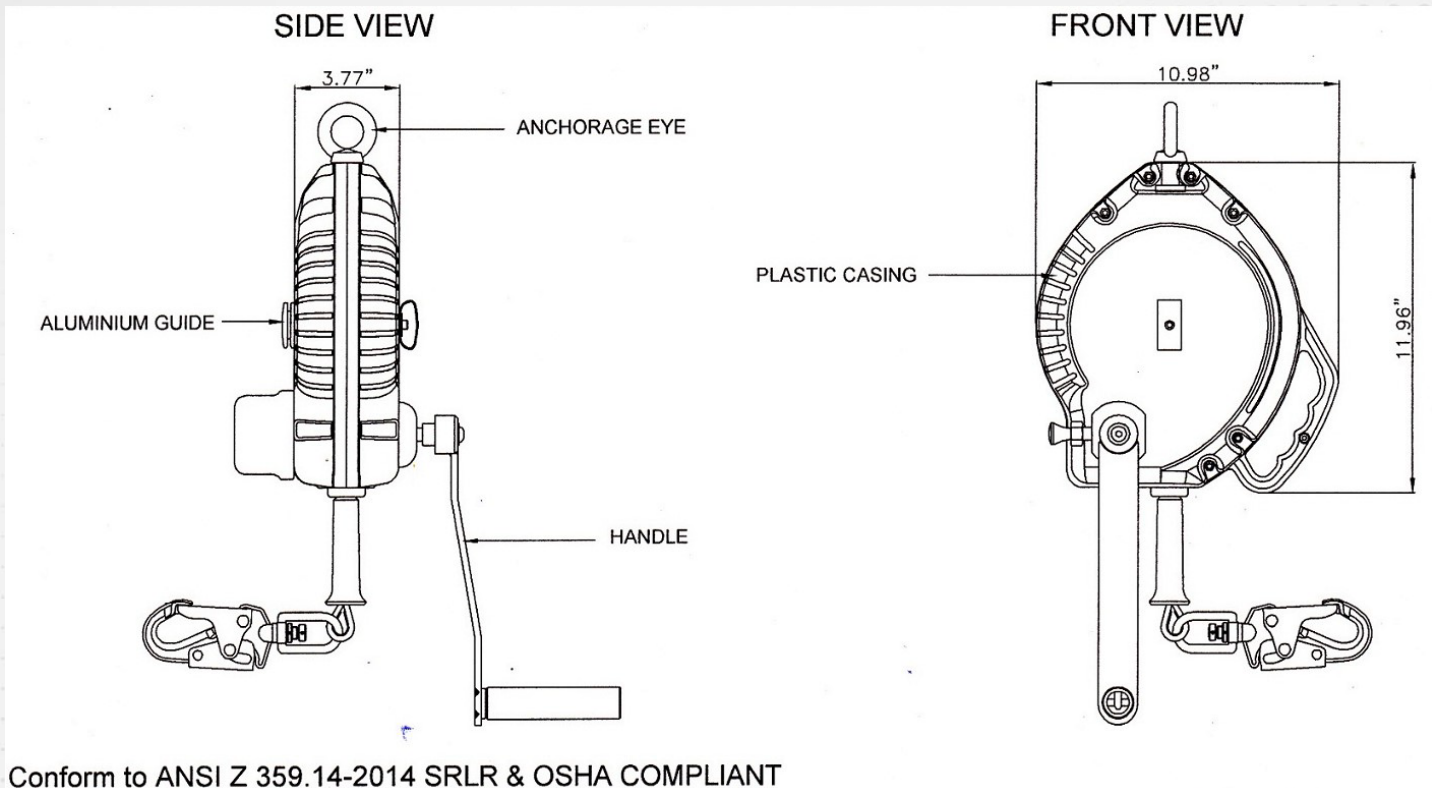


60' RESCUE SELF-RETRACTING LIFELINE



Part Number: PCGS60FTR-SK



Conform to ANSI Z 359.14-2014 SRLR & OSHA COMPLIANT

SPECIFICATIONS

Design	<ul style="list-style-type: none">▶ Retrieval fall arrester block in polymer casing coupled with hoisting winch▶ The locking pin on the side of the casing at the base of the handle allows this dual system to work in independent fall arrest and winch modes▶ Robust and durable plastic casing▶ Has swivel anchorage eye at anchorage end▶ Swivel steel snap hook with load indicator (PN 144) at attachment end▶ Galvanized steel wire rope (steel wire rope available)
Length	▶ 60 ft. (Maximum)
Cable	▶ Material: galvanized steel wire rope 3/16 in.
Breaking Strength	▶ 3,400 lbs. (Minimum)
Weight	▶ 20.30 lbs. ± 0.02 lbs.
Applicable Standards	▶ Meets or exceeds ANSI Z359.14-2014 SRLR & OSHA compliant

Safe Keeper Fall Protection is committed to providing high-quality fall protection equipment and systems to create a safer work environment and ultimately save lives in the workforce. We use today's cutting-edge manufacturing processes and experts, applying real-world practical knowledge to engineer effective yet affordable solution-focused products.

