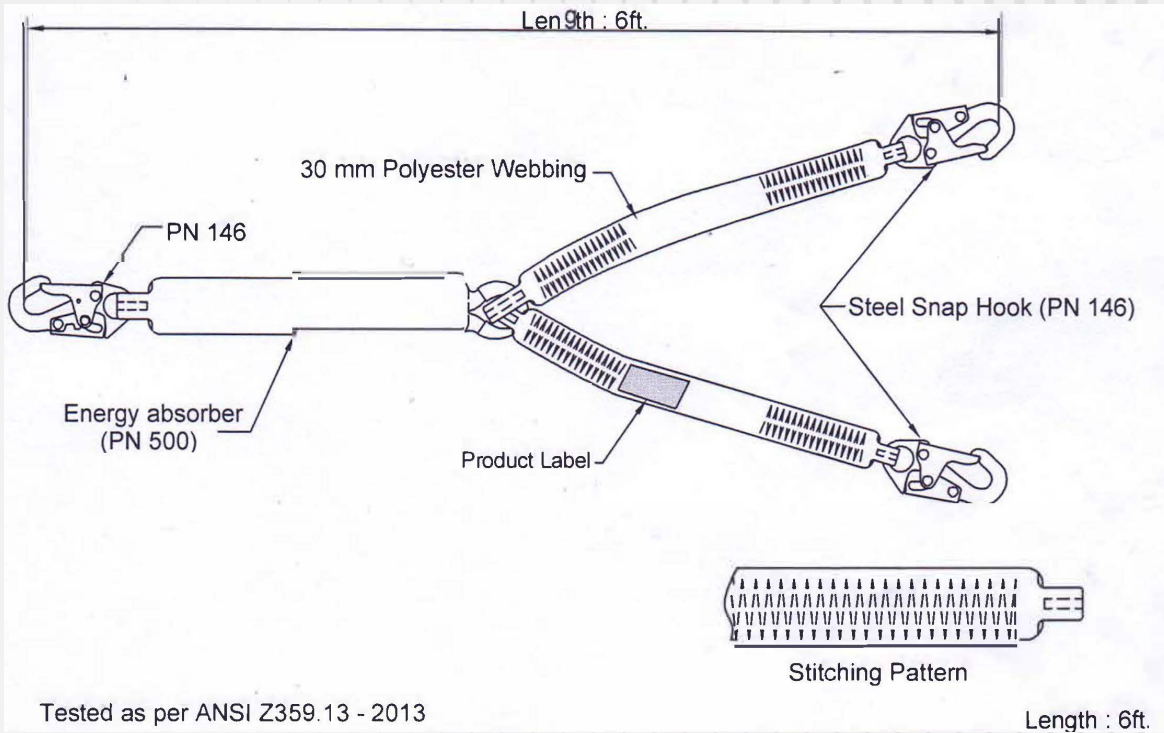


# 6' DUAL-LEG EXTERNAL SHOCK-ABSORBING LANYARD



Part Number: FAP30198(6)/6-SK

Our **Dingo Core™** series of single and dual-leg lanyards provide an economical solution for Non-SRL applications and are available in multiple hook and shock pack configurations.



## SPECIFICATIONS

<b>Design</b>	<ul style="list-style-type: none"><li>▶ Double, Y-shaped lanyard</li><li>▶ Webbing lanyard incorporated with energy absorber (PN 500)</li><li>▶ Each side of lanyard is equipped with steel snap hook (PN 146)</li></ul>
<b>Webbing</b>	<ul style="list-style-type: none"><li>▶ Material: polyester</li><li>▶ Width: 1.18 in. ± 0.04 in. (30mm ± 1mm)</li><li>▶ Breaking strength: 6,000 lbs. (Minimum)</li></ul>
<b>Stitching Thread</b>	<ul style="list-style-type: none"><li>▶ Material: high-tenacity polyester</li></ul>
<b>Metal Components</b>	<ul style="list-style-type: none"><li>▶ Material: alloy steel</li><li>▶ Plating: zinc plated</li><li>▶ Finish: shot-blasted</li><li>▶ Breaking strength: 5,000 lbs.</li></ul>
<b>Weight</b>	<ul style="list-style-type: none"><li>▶ 4.05 lbs. ± 0.02 lbs.</li></ul>
<b>Applicable Standards</b>	<ul style="list-style-type: none"><li>▶ Meets or exceeds ANSI Z359.13-2013</li></ul>

**Safe Keeper Fall Protection** is committed to providing high-quality fall protection equipment and systems to create a safer work environment and ultimately save lives in the workforce. We use today's cutting-edge manufacturing processes and experts, applying real-world practical knowledge to engineer effective yet affordable solution-focused products.

